

# Danish Open 2024

# MU15-60

## Competitors A

Competitors: 6

#	Name	Club	1	2	3	Wins	Pts	Pos
1	Caelon HENRIQUES	Sportinstituut Schiedam		10	10	2	20	1
2	Leo JI	Team BC				0	0	3
3	Tristain THOMAS	WJA		10		1	10	2

## Matches A

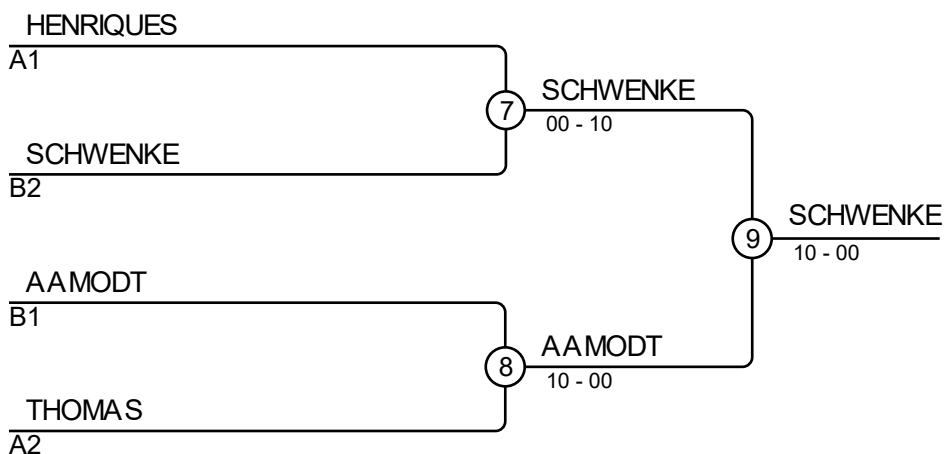
Match	White	Blue	Result	Time
1	Caelon HENRIQUES 1 2	Leo JI	10-00s3	5:54
3	Caelon HENRIQUES 1 3	Tristain THOMAS	10-00s2	2:37
5	Leo JI 2 3	Tristain THOMAS	00s1-10	0:56

## Competitors B

#	Name	Club	4	5	6	Wins	Pts	Pos
4	Gabriel ARCHIBONG	Lu Gia Jen				0	0	3
5	Axel AAMODT	Ippon	10		10	2	20	1
6	Johann SCHWENKE	JC Halle	10			1	10	2

## Matches B

Match	White	Blue	Result	Time
2	Gabriel ARCHIBONG 4 5	Axel AAMODT	00-10	0:34
4	Gabriel ARCHIBONG 4 6	Johann SCHWENKE	00-10	0:30
6	Axel AAMODT 5 6	Johann SCHWENKE	10-00	1:40



## Results

Pos	Name
1	Johann SCHWENKE, JC Halle
2	Axel AAMODT, Ippon
3	Caelon HENRIQUES, Sportinstituut Schiedam
3	Tristain THOMAS, WJA